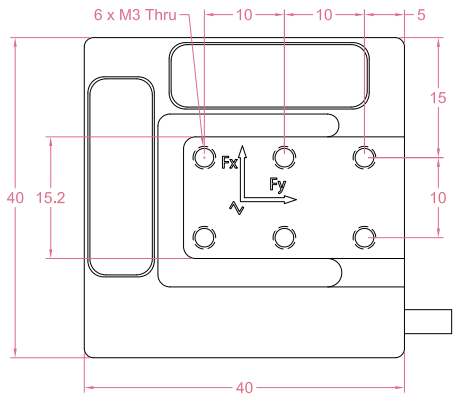
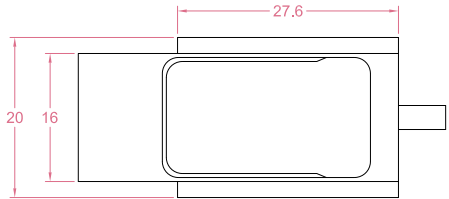
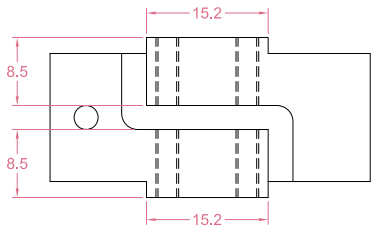
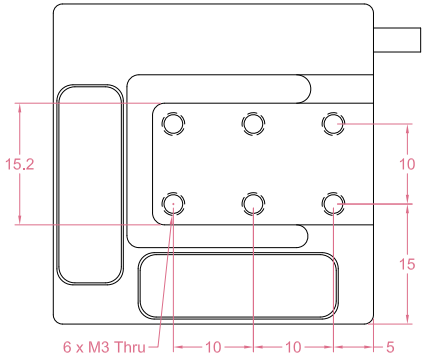




Dimensions in "mm"



599usd/pc



Order example:

1 x LCM3B - 1kg

Quantity      Model      Capacity (Fx=Fy=Fz)

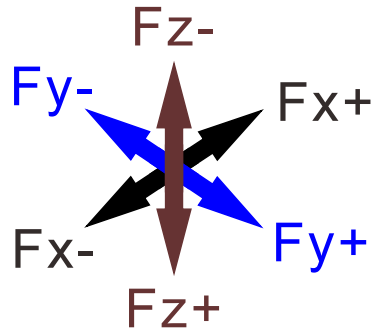
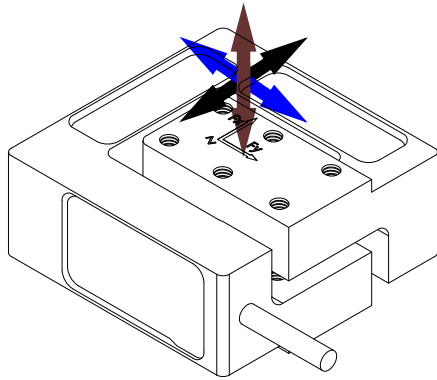
Email to [sales@loadcellsensor.com](mailto:sales@loadcellsensor.com) for a quote

Specifications			
Rated Capacity	Fx=Fy=Fz=1kg/2kg		
Rated Output	1.0 mV/V	Compensated Temp.	0...+40°C
Excitation	3~12V	Operating Temp.	-10...+60°C
Zero Balance	±0.1 mV/V	Temp. Coeff. of Zero	±0.03% F.S./°C
Nonlinearity	±0.3% F.S.	Temp. Coeff. of Span	±0.02% F.S./°C
Hysteresis	±0.3% F.S.	Input Resistance	170±10 Ohms
Nonrepeatability	±0.1% F.S.	Output Resistance	500±20 Ohms
Creep(3min)	±0.2% F.S.	Insulation Resistance	>2000M Ohms(50V)
Safe Load Limit	150% F.S.	IP Rating	IP40
Breaking Load	200% F.S.	Element Material	Aluminum
Cable	Ø3*3000mm 8-conductor shielded cable		

• LCS reserves the right to modify its design and specifications without notice

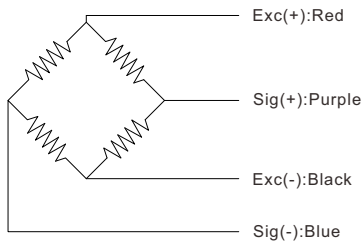


Load direction

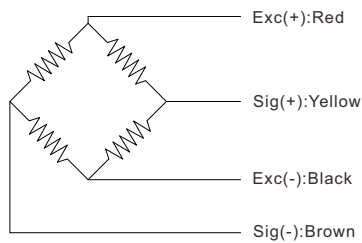


Wiring Code

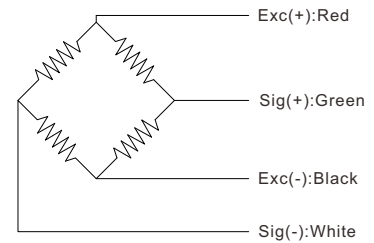
X-axis



Y-axis



Z-axis



Shield is NOT connected to the sensor body

Sensor/Amplifier/Indicator

Items	Power supply	Output/Function
LCM3B	3-12V (Constant)	-12mV...+12mV (Depending on the power supply)
LCM3B + Analog amplifier	12~24V DC	0-3.3V,0-5V,0-10V,0-2.5-5V,0-5-10V -3.3-3.3V,-5-5V,-10-10V 0-20mA,4-20mA,4-12-20mA...
LCM3B + Digital amplifier	12~24V DC	RS485 or RS232 output

Email us for datasheet of amplifiers