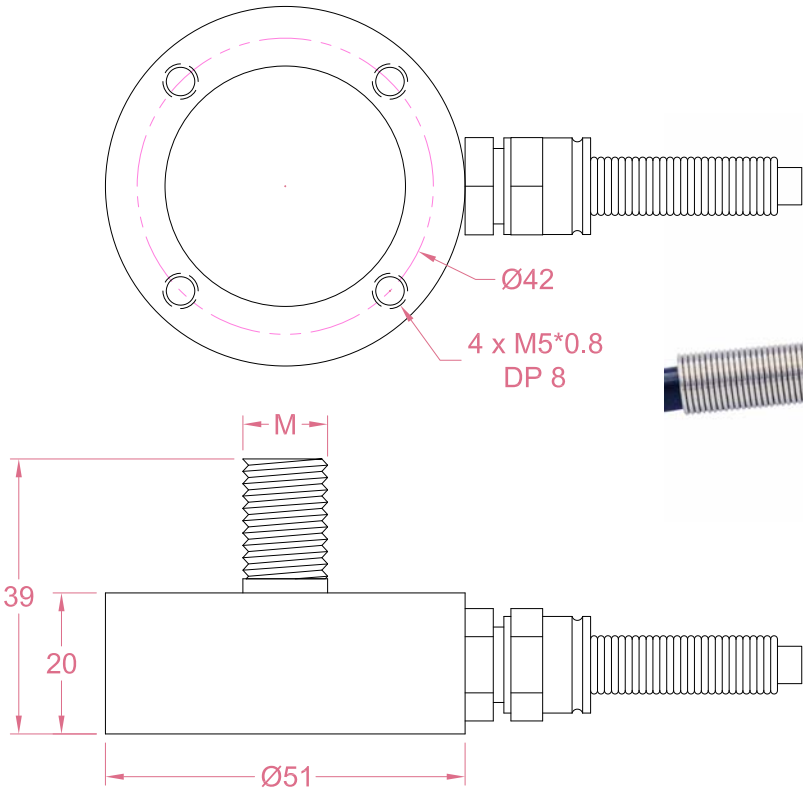




Dimensions in "mm"



Order example:

2 x LCR12- 500kg

Quantity Model Capacity

Email to sales@loadcellsensor.com for a quote

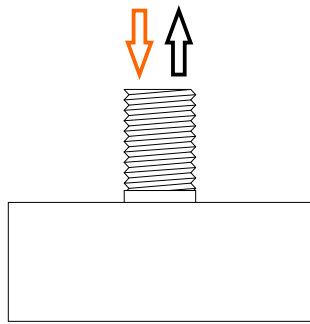
Capacity	M
50kg~2t	M12*1.75
3t/5t	M16*2

Specifications			
Rated Capacity	50/100/200/500kg 1/2/3/5t		
Rated Output	1.5~2.0 mV/V	Compensated Temp.	0...+40°C
Excitation	3~15V	Operating Temp.	-20...+60°C
Zero Balance	±0.06 mV/V	Temp. Coeff. of Zero	±0.02% F.S./°C
Nonlinearity	±0.3% F.S.	Temp. Coeff. of Span	±0.02% F.S./°C
Hysteresis	±0.3% F.S.	Input Resistance	750±100 Ohms
Nonrepeatability	±0.1% F.S.	Output Resistance	700±10 Ohms
Creep(5min)	±0.05% F.S.	Insulation Resistance	>2000M Ohms(50V)
Safe Load Limit	150% F.S.	IP Rating	IP65
Breaking Load	200% F.S.	Element Material	Stainless steel
Cable	Ø5*2000mm 4-conductor shielded cable		

• LCS reserves the right to modify its design and specifications without notice

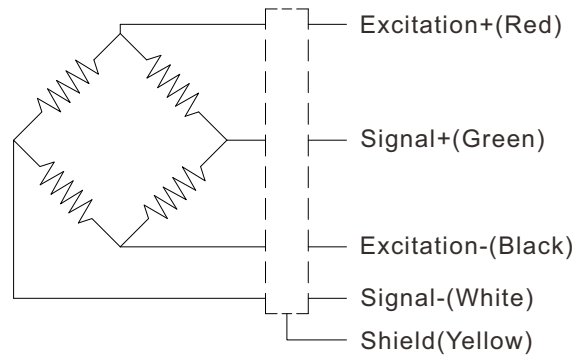


Load direction



Tension load only up to 1t
 Compression load up to 5t

Wiring Code@Compression



Shield is NOT connected to the sensor body

Sensor/Amplifier/Indicator

Items	Power supply	Output/Function
LCR12	3-15V (Constant)	-30mV...+30mV (Depending on the power supply)
LCR12 + Analog amplifier	12~24V DC	0-3.3V,0-5V,0-10V,0-2.5-5V,0-5-10V -3.3-3.3V,-5-5V,-10-10V 0-20mA,4-20mA,4-12-20mA...
LCR12 + Digital amplifier	12~24V DC	RS485 or RS232 output
LCR12 + Indicator	12~24V DC	Display force value Switch/Relay output Peak holding RS485/RS232 interface 0-5V/0-10V/4-20mA output

[Email us for datasheet of amplifier and indicator](#)

Customization options

- Cable
(Length/Specifications/Connectors)
- Dimensions and measuring range