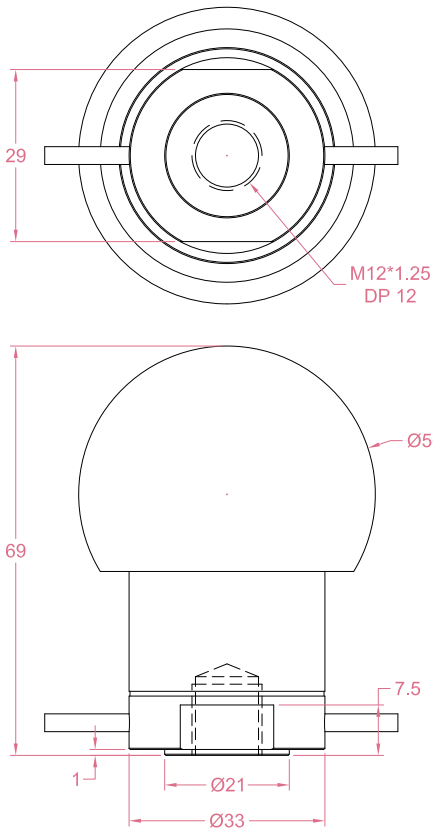
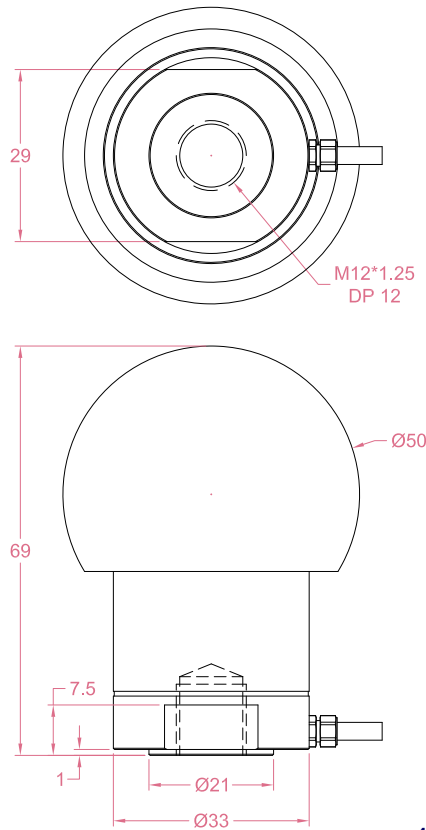




Dimensions in "mm"



Version A



Version B



Order example:

1 x LCM2B - 500N - A

Quantity    Model    Capacity (Fx=Fy)    Version  
Email to [sales@loadcellsensor.com](mailto:sales@loadcellsensor.com) for a quote

| Specifications   |  |                       |                  |
|------------------|--|-----------------------|------------------|
| Rated Capacity   | Fx=Fy=100/200/500/1000 N   |                       |                  |
| Rated Output     | ≈1.5 mV/V  | Compensated Temp.     | 0...+40°C        |
| Excitation       | 3~12V  | Operating Temp.       | -10...+60°C      |
| Zero Balance     | ±0.1 mV/V  | Temp. Coeff. of Zero  | ±0.03% F.S./°C   |
| Nonlinearity     | ±0.3% F.S.   | Temp. Coeff. of Span  | ±0.02% F.S./°C   |
| Hysteresis       | ±0.3% F.S.   | Input Resistance      | 380±30 Ohms      |
| Nonrepeatability | ±0.2% F.S.   | Output Resistance     | 350±10 Ohms      |
| Creep(3min)      | ±0.1% F.S.   | Insulation Resistance | >2000M Ohms(50V) |
| Safe Load Limit  | 150% F.S.  | IP Rating             | IP62             |
| Breaking Load    | 200% F.S.  | Element Material      | Stainless steel  |
| Cable            | Version A: 2 x Ø3*3000mm 4-conductor<br>Version B: Ø3*3000mm 8-conductor |                       |                  |

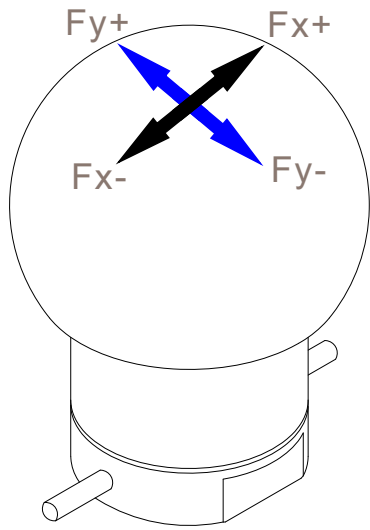
• LCS reserves the right to modify its design and specifications without notice





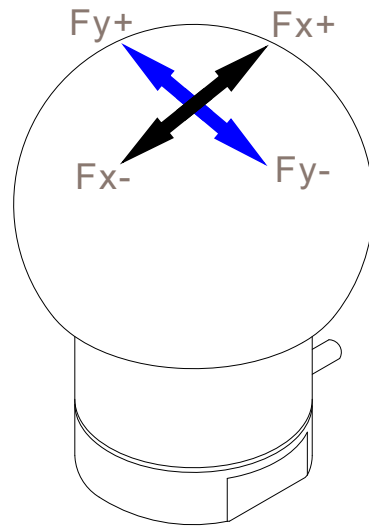
Load direction & wiring code

Version A



| Wiring code of Fx/Fy |       |       |       |
|----------------------|-------|-------|-------|
| Red                  | Black | Green | White |
| Exc+                 | Exc-  | Sig+  | Sig-  |

Version B



| Wiring code of Fx |       |        |       |
|-------------------|-------|--------|-------|
| Red               | Black | Green  | White |
| Exc+              | Exc-  | Sig+   | Sig-  |
| Wiring code of Fy |       |        |       |
| Brown             | Blue  | Yellow | Grey  |
| Exc+              | Exc-  | Sig+   | Sig-  |

