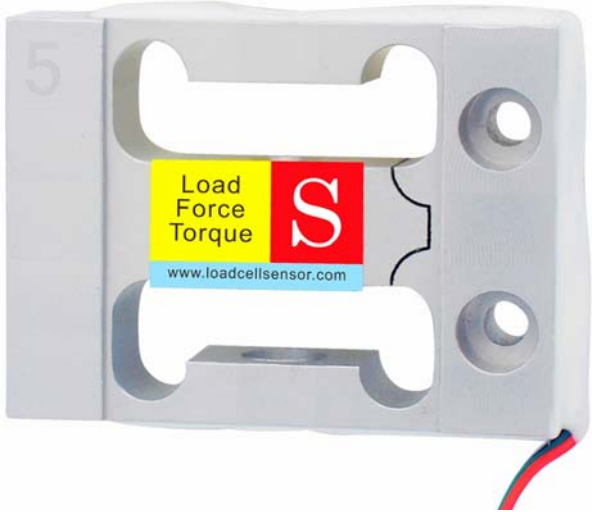
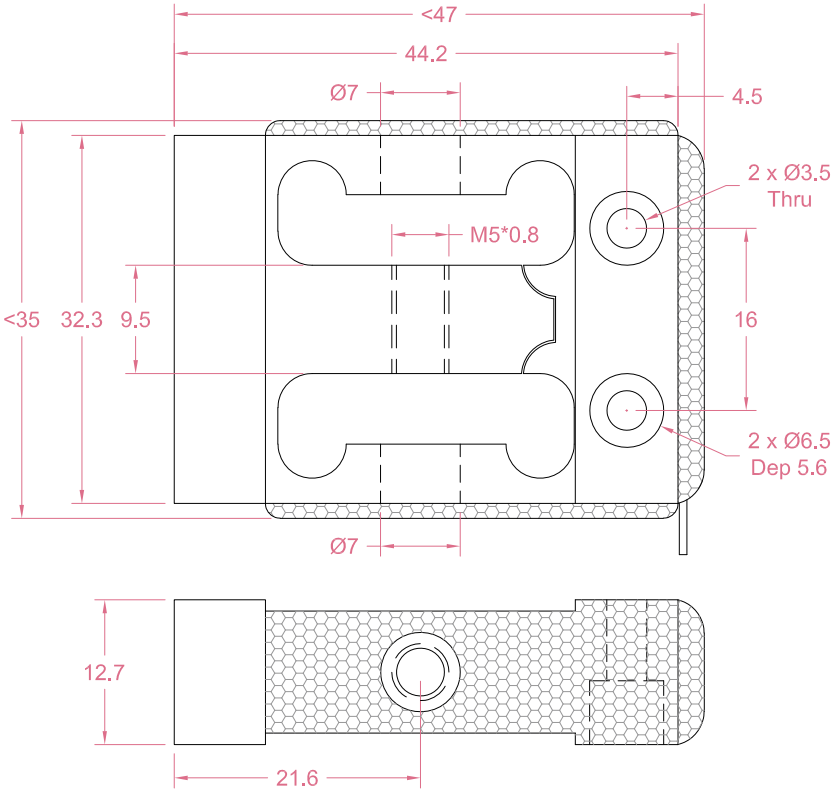




Dimensions in "mm"



Order example:

2 x LSM300 - 5kg

Quantity      Model      Capacity

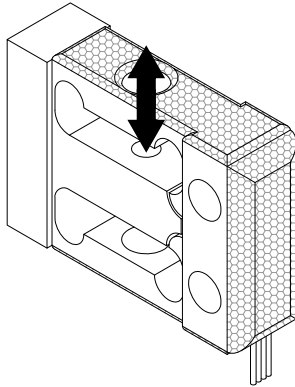
Email to [sales@loadcellsensor.com](mailto:sales@loadcellsensor.com) for a quote

Specifications			
Rated Capacity	1/2/5/10/20/30/50 kg		
Rated Output	1.0 mV/V	Compensated Temp.	0...+40°C
Excitation	3~15V	Operating Temp.	-20...+60°C
Zero Balance	±0.05 mV/V	Temp. Coeff. of Zero	±0.01% F.S./°C
Nonlinearity	±0.03% F.S.	Temp. Coeff. of Span	±0.01% F.S./°C
Hysteresis	±0.03% F.S.	Input Resistance	395±30 Ohms
Nonrepeatability	±0.02% F.S.	Output Resistance	352±5 Ohms
Creep(5min)	±0.02% F.S.	Insulation Resistance	>2000M Ohms(50V)
Safe Load Limit	150% F.S.	IP Rating	IP62
Breaking Load	200% F.S.	Element Material	Aluminum alloy
Cable	4 x 26AWG*180mm		

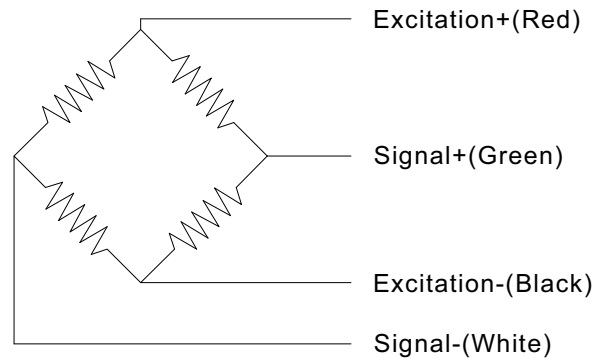
• LCS reserves the right to modify its design and specifications without notice



Load direction



Wiring Code



Sensor/Amplifier/Indicator

Items	Power supply	Output/Function
LSM300	3-15V (Constant)	-15mV...+15mV (Depending on the power supply)
LSM300 + Analog amplifier	12~24V DC	0-3.3V,0-5V,0-10V,0-2.5-5V,0-5-10V -3.3-3.3V,-5-5V,-10-10V 0-20mA,4-20mA,4-12-20mA...
LSM300 + Digital amplifier	12~24V DC	RS485 or RS232 output
LSM300 + Indicator	12~24V DC	Display force value Switch/Relay output Peak holding RS485/RS232 interface 0-5V/0-10V/4-20mA output
<a href="#">Email us for datasheet of amplifier and indicator</a>		